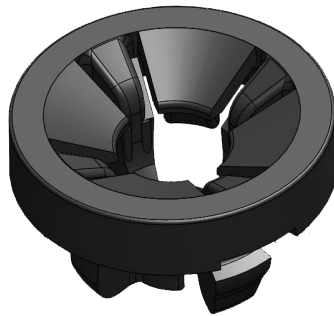
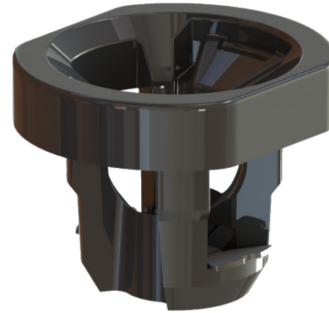


## HP Family Ball Sockets

High Pullout and Low Assembly Force Ball Sockets

### PIBS HP (ASYST P/N 24842):

- Insertion Force: **90N (Max)**
- Pull-out Force: **300N (Min)**
- Allowable rotation of ASYST  
Standard Ball Stud in socket: **16-33° (direction dependant)**

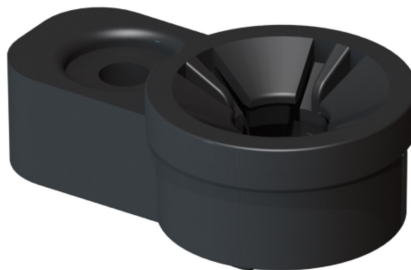


### SIBS HP (ASYST P/N 34904):

- Insertion Force: **125N (Max)**
- Pull-out Force: **300N (Min)**
- Allowable rotation of ASYST  
Standard Ball Stud in socket: **18° all directions**

### K50HP (ASYST P/N 24625):

- Insertion Force: **200N (Max)**
- Pull-out Force: **440N (Min)**
- Allowable rotation of ASYST  
Standard Ball Stud in socket: **18° all directions**



### OPS-HP (ASYST P/N 34957):

- Insertion Force: **100N (Max)**
- Pull-out Force: **400N (Min)**
- Allowable rotation of ASYST  
Standard Ball Stud in socket: **18° all directions**

#### Contact for North America:

Mr. Paul Sutenbach  
Vice President Sales  
phone: 1 262-857-5150  
e-mail: psutenbach@asysttech.com

For CAD models, prints and additional details please contact us.